

Suitable for a wide range of applications and processes, the **Powertrack 20** complements our extensive range of **Powertrack** conveyors.

Features

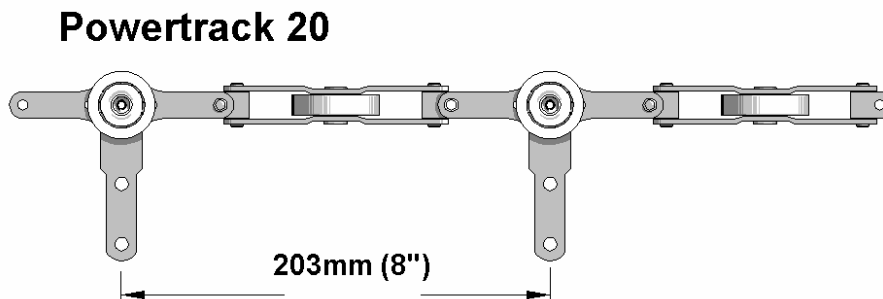
Designed for light/medium duty applications providing a carrying capacity of up to 23kg per pendant single roller or 35kg using a double vertical roller. Track section utilises a 3mm wall for span loading.

Modular construction utilising many common components within the **Powertrack** range enabling easy installation and future alterations and extensions.

Suitable for operation through areas up to 250 deg. C makes it an ideal choice for all uses including transportation, process and paint finishing applications.

Fully enclosed track ensures a safe and quiet operation.

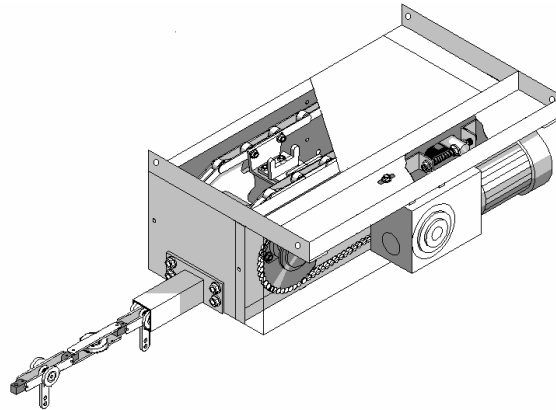
As with the full **Powertrack** range, the modules are designed for easy installation at high level ensuring optimum free floor space for other operations.



Powertrack 20 - technical specification

Drive

Comprising a caterpillar type drive renowned for smooth surge free power transmission. The unit would be driven by a helical worm drive geared motor unit incorporating a morse friction clutch unit for overload protection of the chain components.

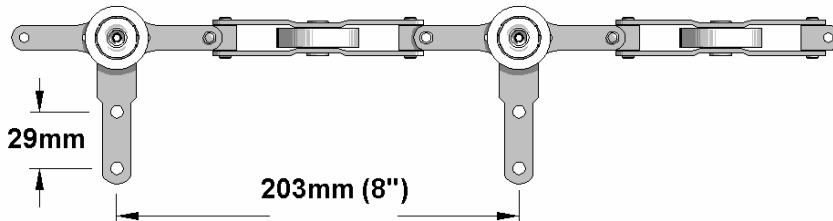


Chain

Incorporating medium duty pendants at 203mm pitch, the sturdy fully bi-planer chain includes articulating joints with steel side plates. 41mm diameter wheels are incorporated horizontally and twin 32mm wheels vertically are fitted with full

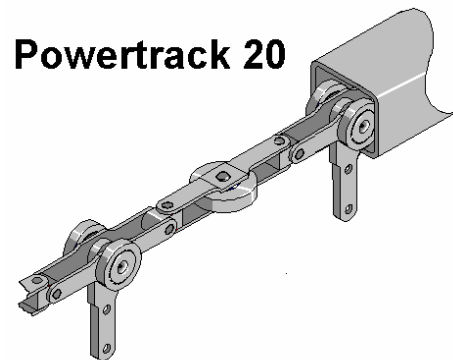
compliment grade 100 steel ball bearings for optimum efficiency and trackability.

Powertrack 20



Track Section

Rolled from high quality galvanised steel to form a 50mm x 42mm nominal section with 3mm wall thickness with a 11 mm slot. The bolted clamp connectors and hanger clamps facilitate easy installation (including cut down sections).



Powertrack 20 - technical specification cont.

Bend Sections

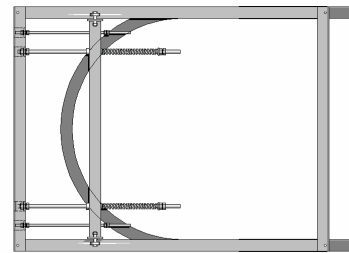
Bends (vertical and horizontal) have a standard radius of 610mm – although other radii down to 457mm can be manufactured on request. Bends are available in 15, 30, 45, 60 and 90 degree segments complete with 150mm long connecting lead-ins.

Inspection Section

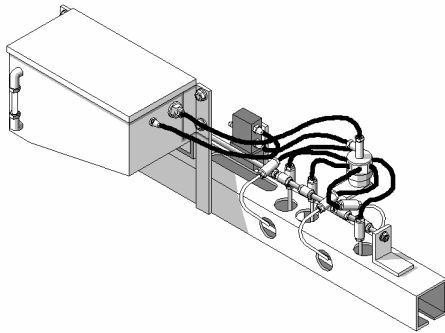
This would be incorporated in a readily accessible position within the system for easy inspection and carrying out preventative maintenance.

Tension Unit

All chain circuits require the means to set and maintain the correct working tension. To facilitate this, the tension unit comprises a 180 degree bend available with differing track centres to suit the system mounted below a frame with twin springs and lock-off facilities. It is recommended that the unit is incorporated following the drive unit. For extra wide applications linear tension units are utilised.



Lubricator



For long chain life, particularly when operating in high temperatures, lubrication is essential. The lubricator is a pneumatically powered unit which allows pulses of lubricant onto essential components. The unit includes a separate solenoid valve with silencer and regulator. Essential unit piping and connections would be pre-assembled and tested in our works.

Lubricator details

Requires compressed filtered air at 4 – 5 Bar.
Size of actuating valve inlet is 1/8" BSP/8mm dia tube.
Reservoir capacity – 1.7 litres.

Powertrack 20
Technical Data

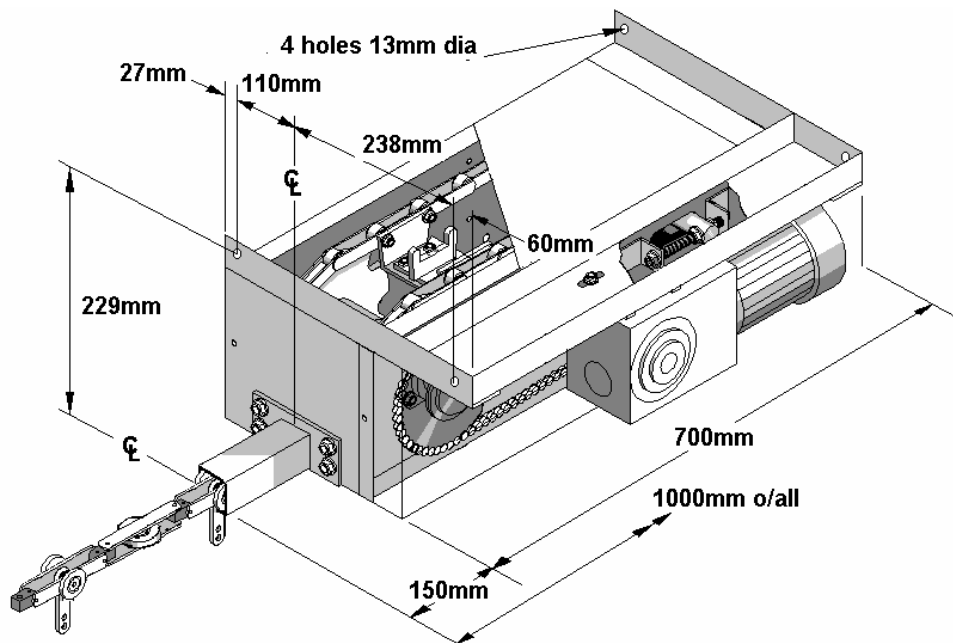
Chainpull. Maximum allowable through the drive is 225kg.

Support data

<i>Support Pitch</i>	<i>Load per metre based upon uniform weight distribution</i>	<i>Max. point load central to support span (hung on 1 or 2 pendants)</i>
3500mm	18.0 kg / mtr	27.00 kg
3250mm	20.5 kg / mtr	30.75 kg
3000mm	24.5 kg / mtr	36.75 kg
2750mm	29.5 kg / mtr	44.25 kg
2500mm	37.0 kg / mtr	46.00 kg

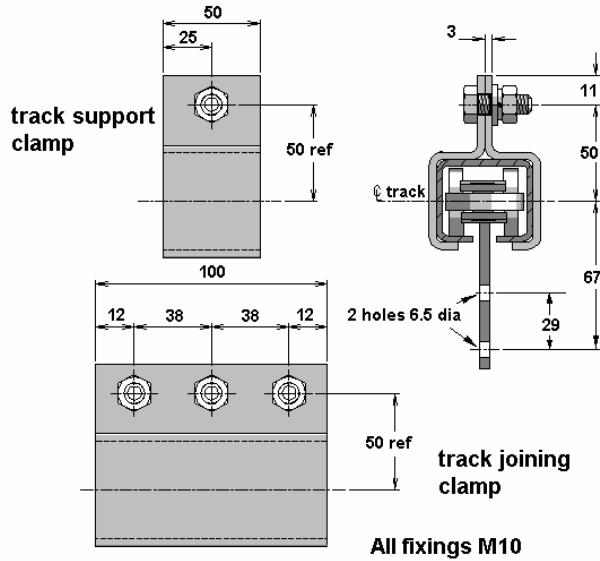
* The above information is calculated from BS 5950: Part 1 : 1990 Section Two for horizontal deflection, based upon the Span / 500.

Module data

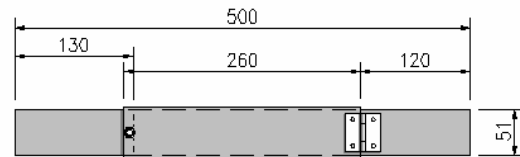


Drive Unit

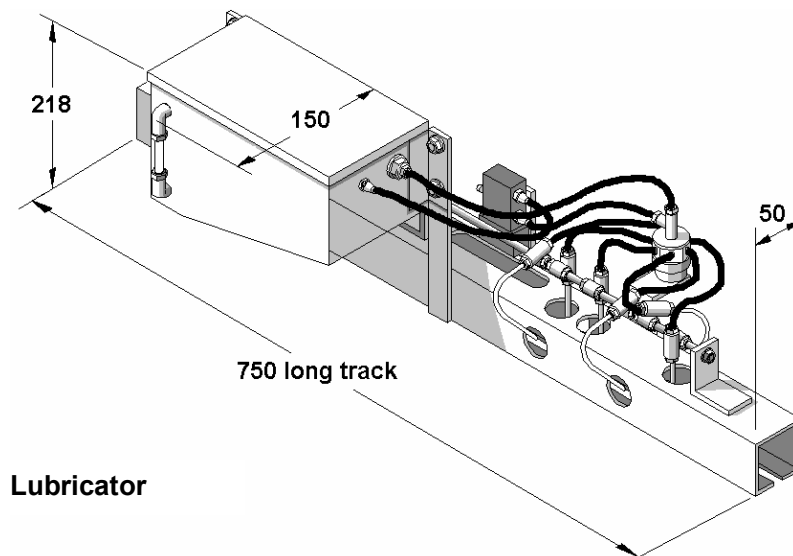
Powertrack 20
Technical Data



Track clamps



Inspection section (plan)



Powertrack 20
Technical Data

